

SINGER
457U405,U425,U435

ILLUSTRATED

PARTS LIST

FOR

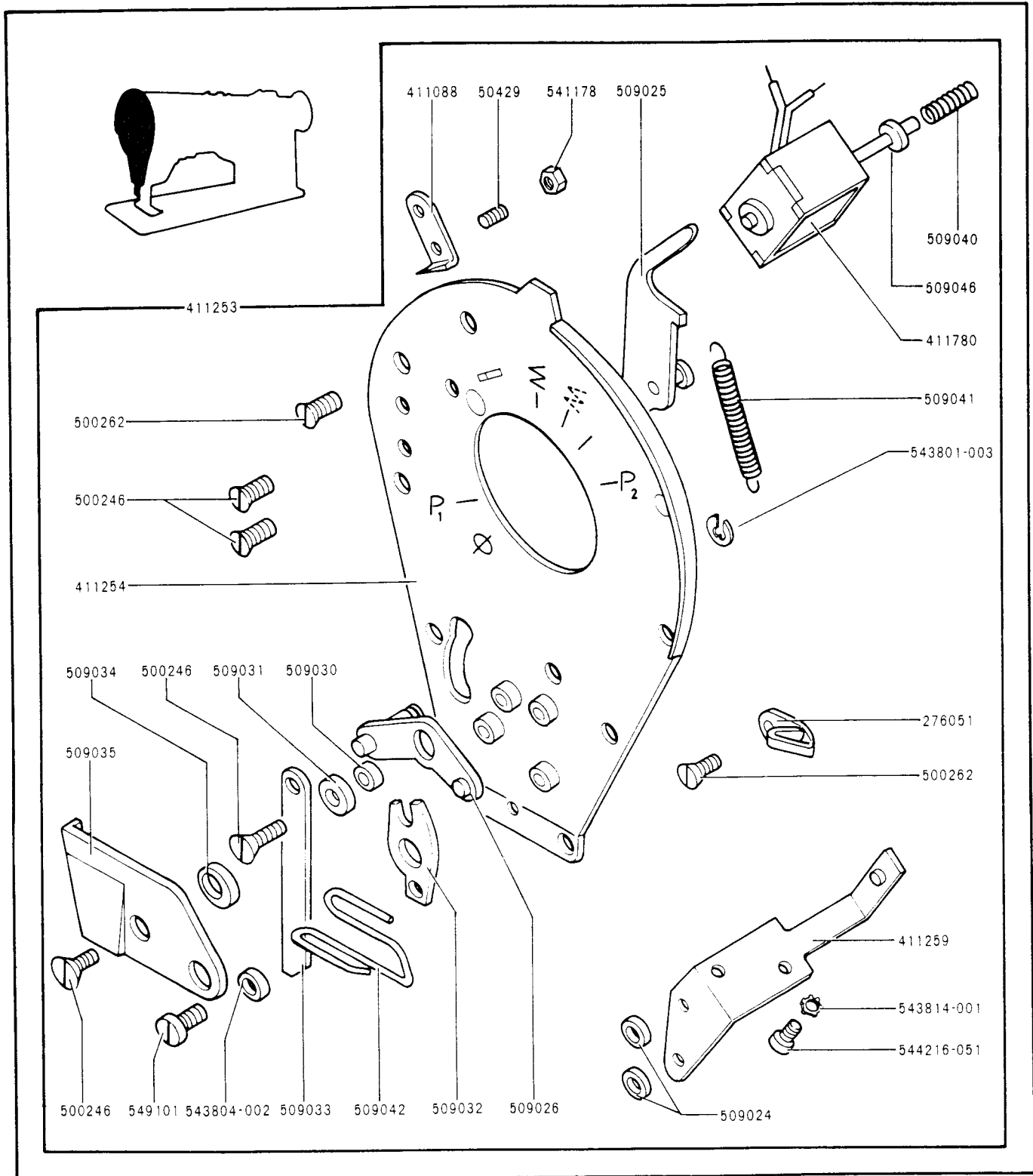
SINGER*

MACHINE

457U405

457U425

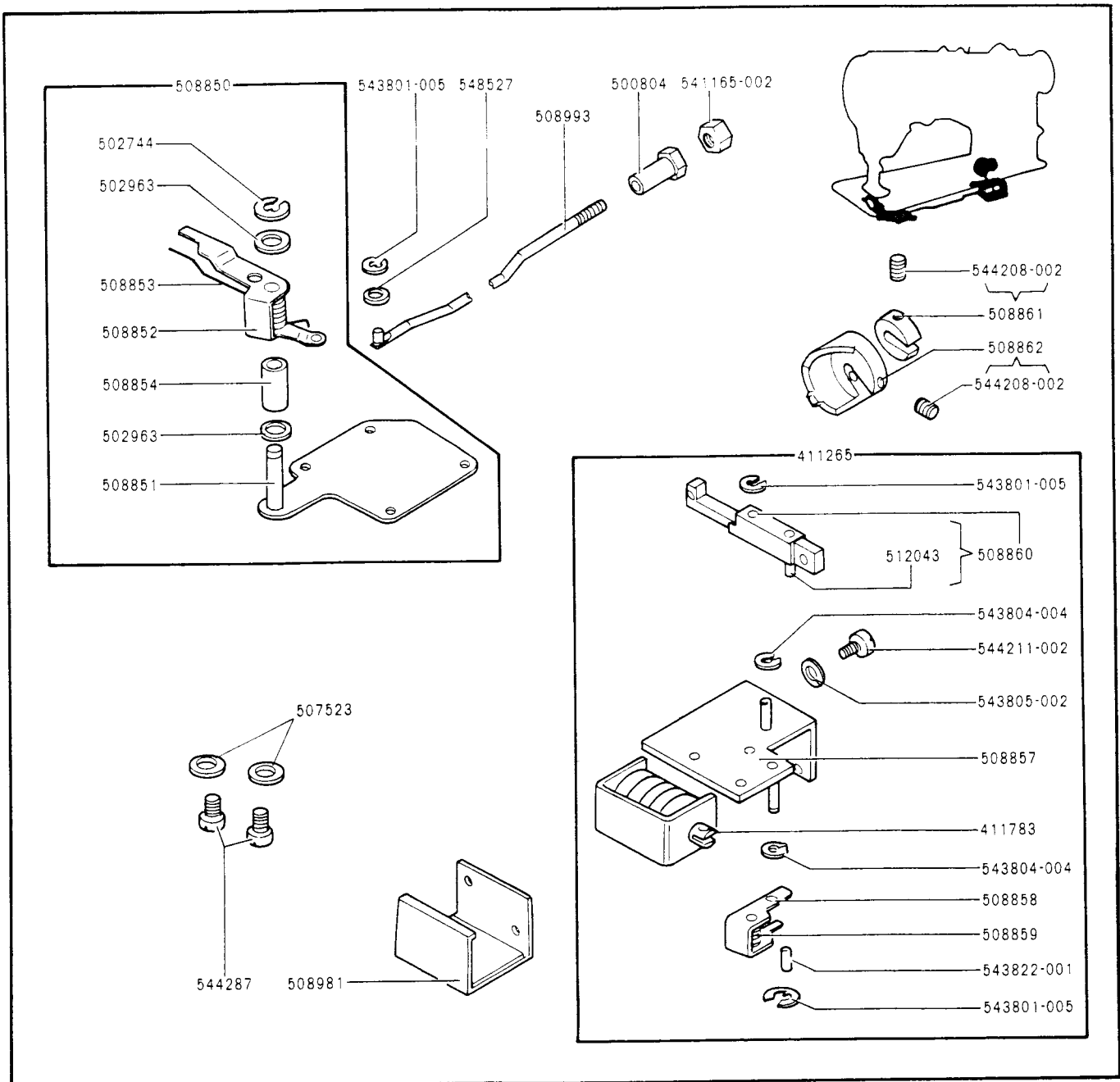
457U435



50429-833	THREAD CUTTER (ON FACE PLATE) ADJUSTING SCREW
276051	THREAD CUTTER THREAD GUIDE (ON FACE PLATE)
411088	THREAD CUTTER (ON FACE PLATE)
411253	FACE PLATE CPL. 504019, 276051, 411088, 411254, 411259, 411780, 509025, 509026, 509030 TO 509035, 509040 TO 509042, 509046, 541178, 543801-003, 543804-002, 549101 TWO ESCH 500262, 504024, 543814-001, 544216-051 AND FOUR 500246
411254	FACE PLATE
411259	FACE PLATE SOLENOID BRACKET
411780	FACE PLATE SOLENOID
500246-850	FACE PLATE SCREW
500246-850	FACE PLATE COVER PLATE SCREW
500246-850	FACE PLATE SOLENOID BRACKET SCREW (2)
500262-833	THREAD CUTTER THREAD GUIDE (ON FACE PLATE) SCREW
500262-833	TEREAD CUTTER SCREW

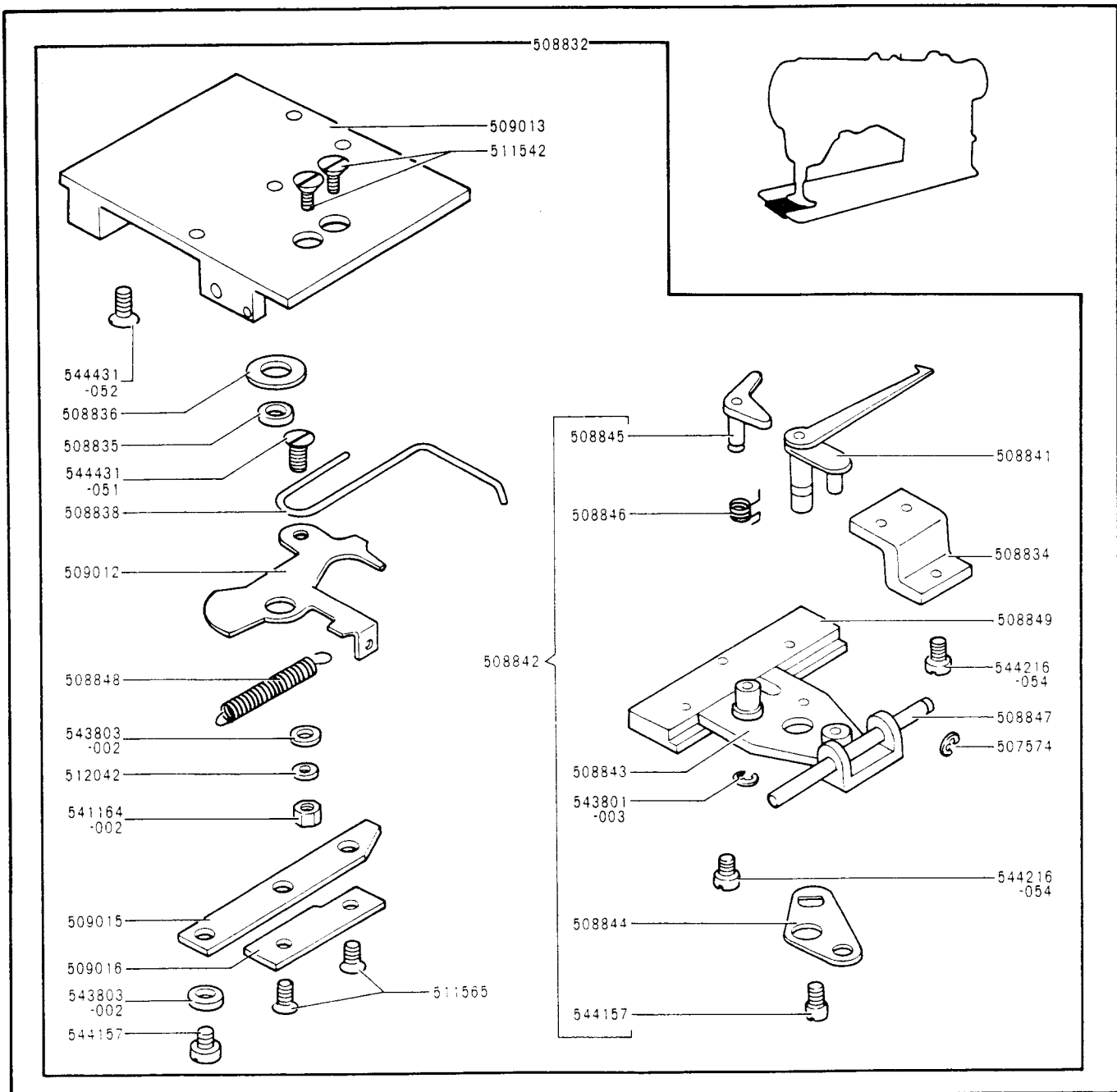
509024	FACE PLATE SOLENOID BRACKET WASHER (2)
509025	FACE PLATE TRIP PAWL
509026	FACE PLATE LEVER
509030	FACE PLATE WASHER
509031	FACE PLATE WASHER
509032	FACE PLATE LEVER
509033	FACE PLATE CONNECTION LINK
509034	FACE PLATE ECCENTRIC DISC
509035	FACE PLATE COVER PLATE
509040	FACE PLATE PRESSURE SPRING (COIL)
509041	FACE PLATE RETURN SPRING (COIL)
509042	FACE PLATE THREAD PULLER
509046	FACE PLATE STUD
543801-003	FACE PLATE TRIP PAWL SAFETY WASHER
543804-002	FACE PLATE THREAD PULLER WASHER
543814-001	FACE PLATE SOLENOID THRUST WASHER (2)

From the library of: Diamond Needle Corp



From the library of: Diamond Needle Corp

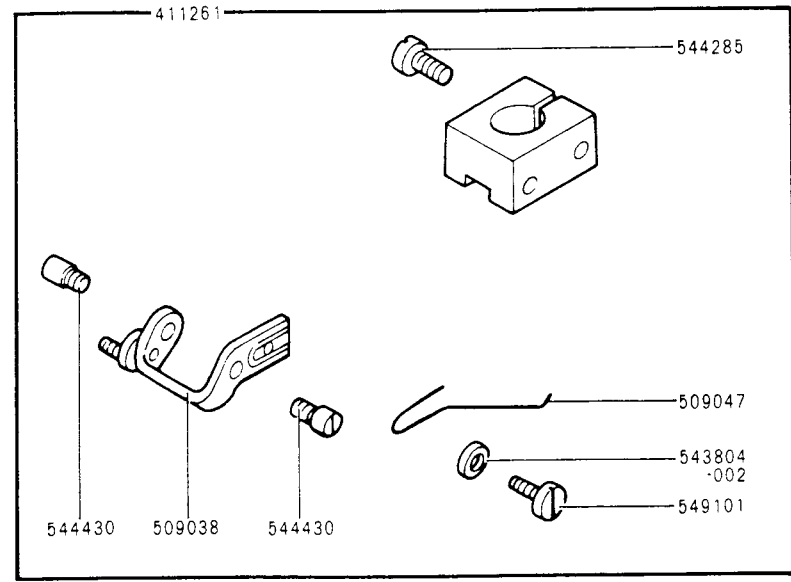
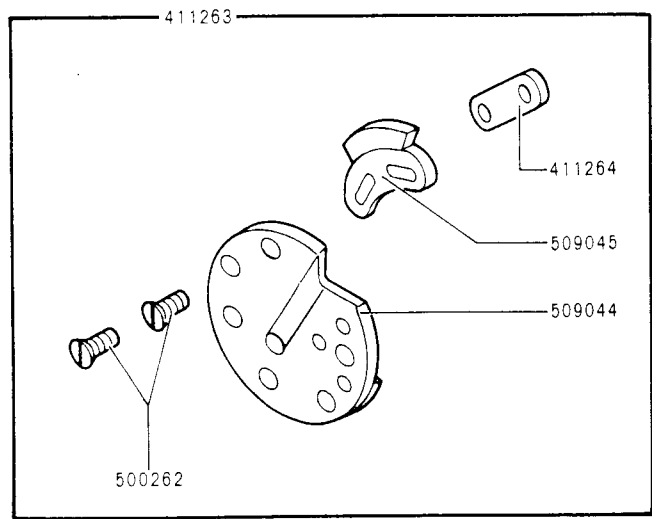
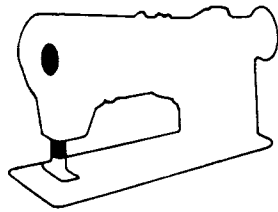
411265	THREAD PULLER RELEASING SOLENOID MOUNTING BRACKET CPL. NOS. 411783, 508857 TO 508860, 543822-001, TWO EACH 543801-005, 543804-004, 543805-002 AND 544211-002	508862	THREAD TRIMMER CONTROL CAM WITH TWO 544208-002
411783	THREAD PULLER RELEASING SOLENOID	508981	THREAD PULLER RELEASING SOLENOID COVER
500804	THREAD PULLER CONNECTING ROD ADJUSTING SCREW	508993	THREAD PULLER CONNECTING ROD
502744	THREAD PULLER RETURN LEVER RETAINING RING	512043	THREAD TRIMMER CONTROL CAM FOLLOWER PIN
502963	THREAD PULLER RETURN LEVER WASHER (2)	543801-005	THREAD PULLER CONNECTING ROD RETAINING RING
507523	THREAD PULLER RELEASING SOLENOID MOUNTING BRACKET SCREW WASHER(2)	543801-005	THREAD TRIMMER CONTROL CAM FOLLOWER RETAINING RING
508850	THREAD PULLER ACTUATING MECHANISM WITH 502744, 508851, 508852, 508853, 508854 AND TWO 502963	543801-005	THREAD TRIMMER CONTROL CAM FOLLOWER RETAINING PAWL RETAINING RING
508851	HOOK SHAFT GEAR BOX COVER	543804-004	THREAD TRIMMER CONTROL CAM FOLLOWER SPACER
508852	THREAD PULLER RETURN LEVER	543804-004	THREAD TRIMMER CONTROL CAM FOLLOWER RETAINING PAWL WASHER
508853	THREAD PULLER ACTUATING SPRING	543822-001	THREAD TRIMMER CONTROL CAM FOLLOWER RETAINING PAWL ROLL PIN
508854	THREAD PULLER RETURN LEVER BUSHING	543805-002	THREAD PULLER RELEASING SOLENOID MOUNTING SCREW
508857	THREAD PULLER RELEASING SOLENOID MOUNTING BRACKET	544211-002	LOCK WASHER (2)
508858	THREAD TRIMMER CONTROL CAM FOLLOWER RETAINING PAWL	541165-002	THREAD PULLER CONNECTING ROD ADJUSTING SCREW LOCK NUT
508859	THREAD TRIMMER CONTROL CAM FOLLOWER RETAINING PAWL RETURN SPRING	544208-002	THREAD TRIMMER CONTROL CAM POSITIONING COLLAR SET SCREW (2)
508860	THREAD TRIMMER CONTROL CAM FOLLOWER WITH 512043	544208-002	THREAD TRIMMER CONTROL CAM SET SCREW (2)
508861	THREAD TRIMMER CONTROL CAM POSITIONING COLLAR WITH TWO 544208-002	544211-002	THREAD PULLER RELEASING SOLENOID MOUNTING SCREW (2)
		544287	THREAD PULLER RELEASING SOLENOID MOUNTING BRACKET SCREW
		548527	THREAD PULLER CONNECTING ROD RETAINING RING WASHER



507574 THREAD PULLER CARRIAGE SHAFT RETAINING RING
508832 THREAD PULLING AND TRIMMING UNIT CPL. NOS. 507574,
508834, 508835, 508836, 508838, 508841, 508842,
508847, 508848, 508849, 509012, 509013, 509015,
509016, 512042, 541164-002, 544157, 544431-051,
544431-052 AND TWO EACH 511542, 511565,
543803-002 AND 544216-054
508834 PIVOTING KNIFE STOP
508835 PIVOTING KNIFE BUSHING
508836 PIVOTING KNIFE SPACER
508838 THREAD POSITIONING WIRE
508841 THREAD PULLER FINGER
508842 THREAD PULLER CARRIAGE CPL. NOS.
508843 TO 508846, AND 544157, 543801-003
AND TWO 544216-054
508843 THREAD PULLER CARRIAGE
508844 THREAD PULLER FINGER STOP PLATE
508845 KNIFE OPENING PAWL

508846 KNIFE OPENING PAWL RETURN SPRING
508847 THREAD PULLER CARRIAGE SHAFT
508848 PIVOTING KNIFE BIAS SPRING
508849 THREAD PULLER CARRIAGE RETAINING PLATE
509012 PIVOTING KNIFE
509013 BED SLIDE
509015 COUNTER KNIFE
509016 COUNTER KNIFE RETAINING PLATE
511542-850 PIVOTING KNIFE STOP SECURING SCREW (2)
511565-850 KNIFE RETAINING PLATE SECURING SCREW (2)
512042 THREAD POSITIONING WIRE TENSION WASHER
541164-002 THREAD POSITIONING WIRE SECURING NUT
543801-003 KNIFE OPENING PAWL RETAINING RING
543803-002 THREAD POSITIONING WIRE WASHER (2)
544216-054 BED SLIDE SECURING SCREW (2)
544431-051 THREAD POSITIONING WIRE SECURING SCREW
544431-052 THREAD PULLER CARRIAGE RETAINING PLATE SECURING
SCREW (2)

From the library of: Diamond Needle Corp

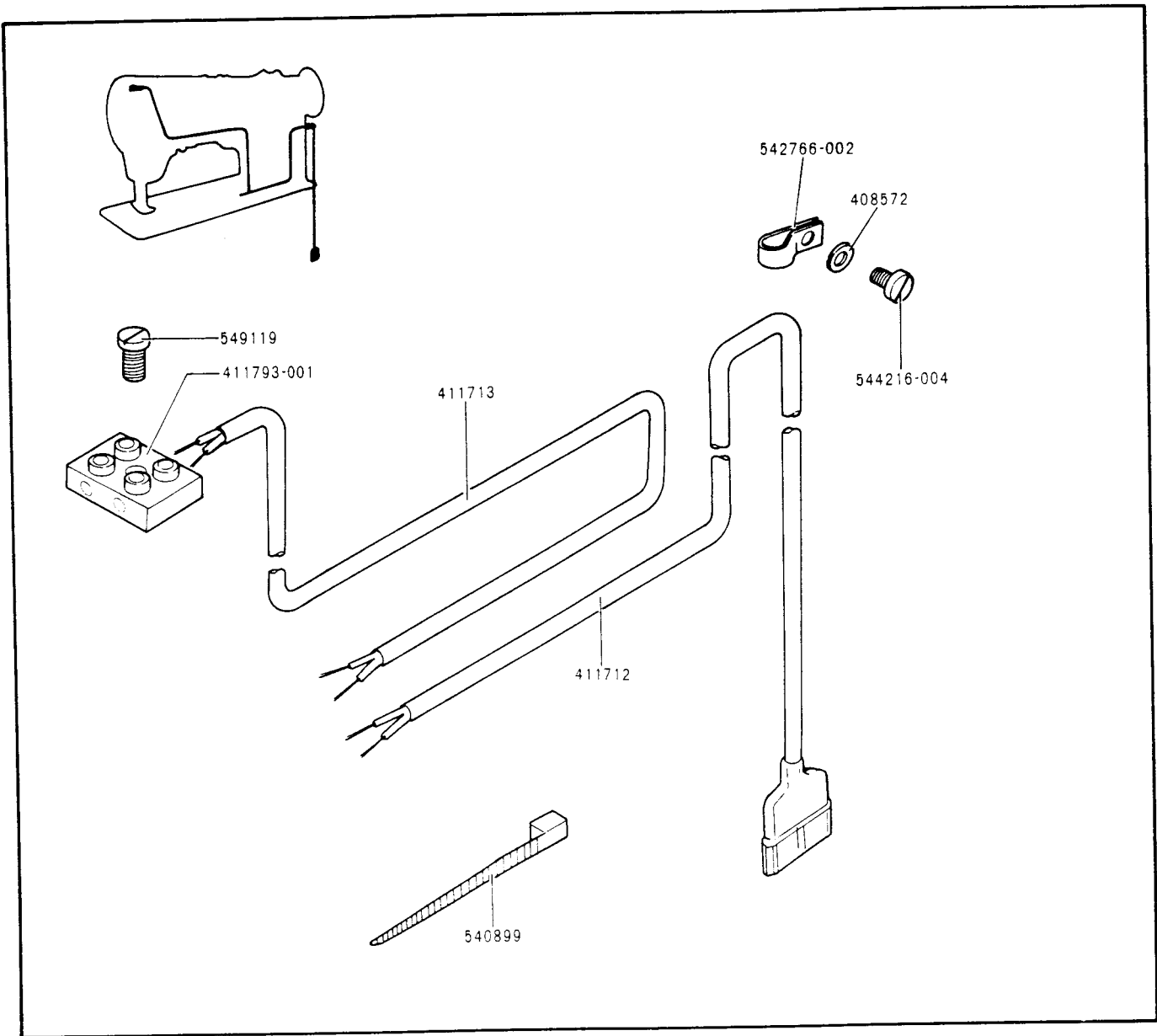


411261 CLAMPING PIECE CPL. NOS. 509038, 509047, 533804-002, 544285, 549101 AND TWO 544430
 411263 ROTARY TAKE UP MOUNTING DISC CPL. NOS. 411264, 509044, 509045 AND TWO EACH 500262
 411264 ROTARY TAKE UP MOUNTING DISC CATCH NUT
 500262-833 ROTARY TAKE UP MOUNTING DISC SCREW (2)
 509038 CLAMPING PIECE YOKE
 509044 ROTARY TAKE UP MOUNTING DISC

509045 ROTARY TAKE UP MOUNTING DISC CATCH
 509047 CLAMPING PIECE THREAD WIPER
 543801-003 SAFETY WASHER
 543804-002 TEREAD WIPER SCREW WASHER
 544285 CLAMPING PIECE SCREW
 544430 CLAMPING PIECE YOKE SCREW (2)
 549101 THREAD WIPER SCREW

PART NO.	DESCRIPTION	PART NO.	DESCRIPTION
----------	-------------	----------	-------------

From the library of: Diamond Needle Corp

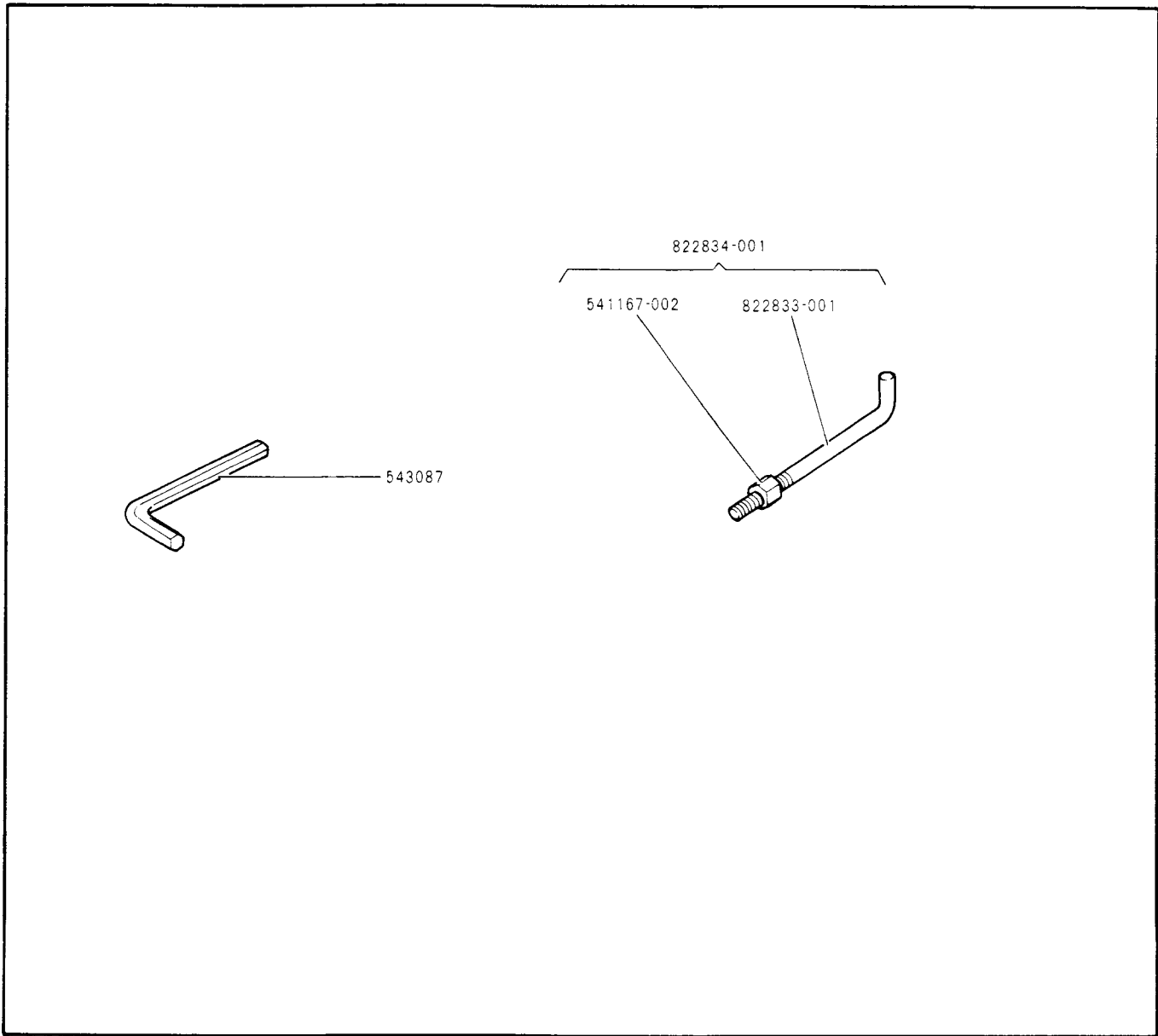


From the library of: Diamond Needle Corp

408572 CABLE CLAMP SCREW WASHER
 411712 WIRE HARNESS (LONG)
 411713 WIRE HARNESS (SHORT)
 411793-001 ELECTRIC TERMINAL (UPPER)

540899 CABLE RETAINER
 542766-002 CABLE CLAMP
 544216-004 CABLE CLAMP SCREW
 549119 ELECTRIC TERMINAL SECURING SCREW

PART NO.	DESCRIPTION	PART NO.	DESCRIPTION
408572	CABLE CLAMP SCREW WASHER	540899	CABLE RETAINER
411712	WIRE HARNESS (LONG)	542766-002	CABLE CLAMP
411713	WIRE HARNESS (SHORT)	544216-004	CABLE CLAMP SCREW
411793-001	ELECTRIC TERMINAL (UPPER)	549119	ELECTRIC TERMINAL SECURING SCREW



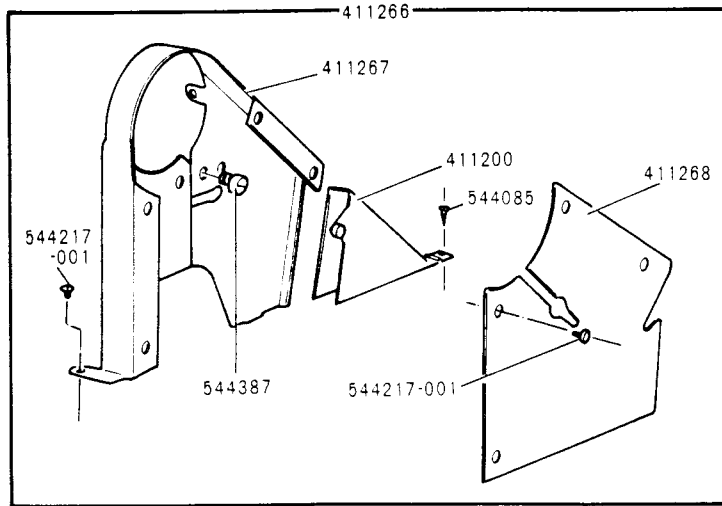
From the library of: Diamond Needle Corp

ACCESSORIES

541167-002	SENSOR ANTI-ROTATION ROD NUT
543087	HEXAGON WRENCH
822833-001	SENSOR ANTI-ROTATION ROD
822834-001	SENSOR ANTI-ROTATION ROD WITH NUT

PART NO.	DESCRIPTION	PART NO.	DESCRIPTION
----------	-------------	----------	-------------

OPTIONAL PARTS



411200	BELT GUARD (LOWER)
411266	BELT GUARD CPL. NOS., 411200, 411267, 411268.
411267	BELT GUARD
411268	BELT GUARD PLATE
544387	TWO 544085 AND EIGHT 544217-001

544085	BELT GUARD (LOWER) SCREW (WOOD) (2)
544217-001	BELT GUARD SCREW (SMALL) (4)
544217-001	BELT GUARD PLATE SCREW (4)
544387	BELT GUARD SCREW (LARGE)